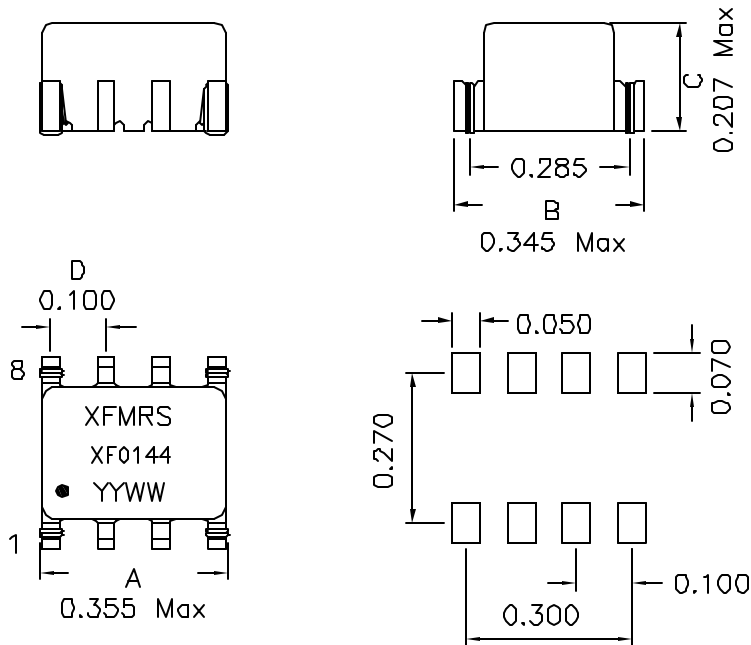
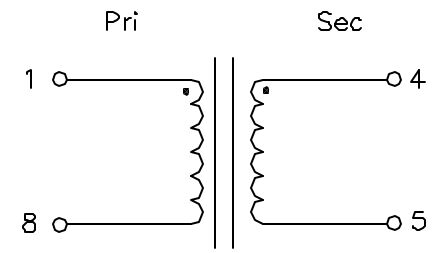


1. Mechanical Dimensions:



SUGGESTED PAD LAYOUT

2. Schematic:



3. Electrical Specifications:

- PRI OCL: 1400uH Min @10KHz, 0.1V
- LL: Pins 1-8 0.50uH Max, @100KHz, 0.1V (Short SEC)
- PRI DCR: 1.50 Ohms Max.
- SEC DCR: 1.50 Ohms Max.
- Turn Ratio: (PRI:SEC) 1:1
- Volt-Time Product: 27.2 V-uSec
- Isolation Voltage: 1500Vdc, PRI TO SEC

Notes:

- Solderability: Leads shall meet MIL-STD-202G, Method 208H for solderability.
- Flammability: UL94V-0
- ASTM oxygen index: > 28%
- Insulation System: Glass F 155°C, UL file E151556
- Operating Temperature Range: All listed parameters are to be within tolerance from -40°C to +85°C
- Storage Temperature Range: -55°C to +125°C
- Aqueous wash compatible
- SMD Lead Coplanarity: ±0.004"(0.102mm)
- Electrical and mechanical specifications 100% tested
- RoHS Compliant Component

DOC REV A/3

XFMRs Inc www.XFMRs.com	Title: Gate Drive Transformer	
	P/N: XF0144-GD10	REV. A
UNLESS OTHERWISE SPECIFIED TOLERANCES: .xxx ±0.010 Dimensions in INCH	DWN.	廖玉坤 Sep-21-06
	CHK.	李清儿 Sep-21-06
SHEET 1 OF 1	APP.	MS Sep-21-06